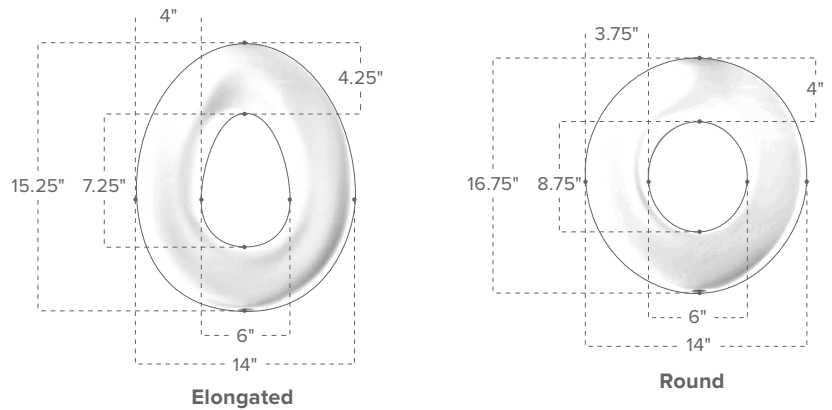


Please mark clearly with an X the items you wish to purchase.
 Email form to Ki Mobility Canada Ltd. at sales@kimobilitycanada.ca or fax form to 403-253-1744. Contact our customer service team at (877) 252-6655.

Account #: _____	Ship to: _____
Date: _____	Name: _____
PO #: _____	Address: _____
Buyer: _____	City: _____
Attention: _____	Phone: () _____

Soft, Contoured Portable Potty Seat

The Portable Potty Seat comes complete with a draw cord backpack for easy portability. The backpack has a plastic lining for hygienic purposes. There is also an outside pocket that can hold wipes or any other necessities. The Potty Seat fits into the draw cord backpack for a complete "on-the-go" solution.



Item	Cherry	Lilac	Aqua	Dark Gray	MSRP
Round Seat Cushion	74010001	74010002	74010004	74010009	\$ 306.35
Elongated Seat Cushion	74020001	74020002	74020004	74020009	\$ 408.46



Draw Cord backpack included.
 Fits on most Push Chairs.

