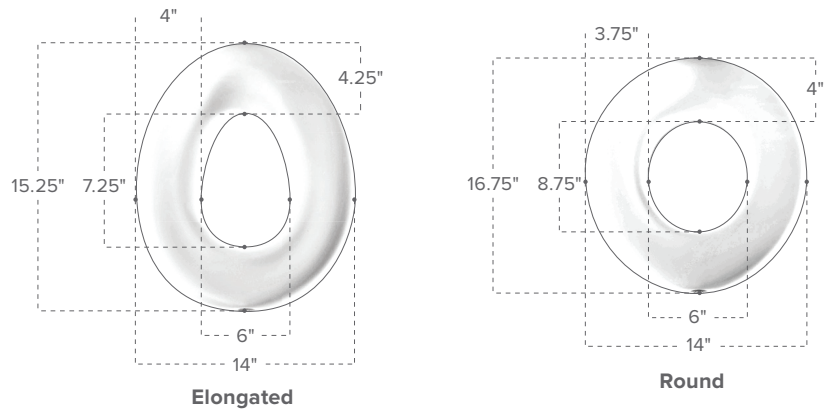


Please mark clearly with an X the items you wish to purchase.
 Email form to Ki Mobility Canada Ltd. at sales@kimobilitycanada.ca or fax form to 403-253-1744. Contact our customer service team at (877) 252-6655.

Account #: _____ Ship to: _____
 Date: _____ Name: _____
 PO #: _____ Address: _____
 Buyer: _____ City: _____
 Attention: _____ Phone: () _____

Soft, Contoured Portable Potty Seat

The Portable Potty Seat comes complete with a draw cord backpack for easy portability. The backpack has a plastic lining for hygienic purposes. There is also an outside pocket that can hold wipes or any other necessities. The Potty Seat fits into the draw cord backpack for a complete "on-the-go" solution.



| Item | Cherry | Lilac | Lime | Aqua | Dark Gray | Light Gray | MSRP |
|------------------------|----------|----------|----------|----------|-----------|------------|-----------|
| Round Seat Cushion | 74010001 | 74010002 | 74010003 | 74010004 | 74010009 | 74010010 | \$ 273.12 |
| Elongated Seat Cushion | 74020001 | 74020002 | 74020003 | 74020004 | 74020009 | 74020010 | \$ 364.16 |



Draw Cord backpack included.
 Fits on most Push Chairs.

